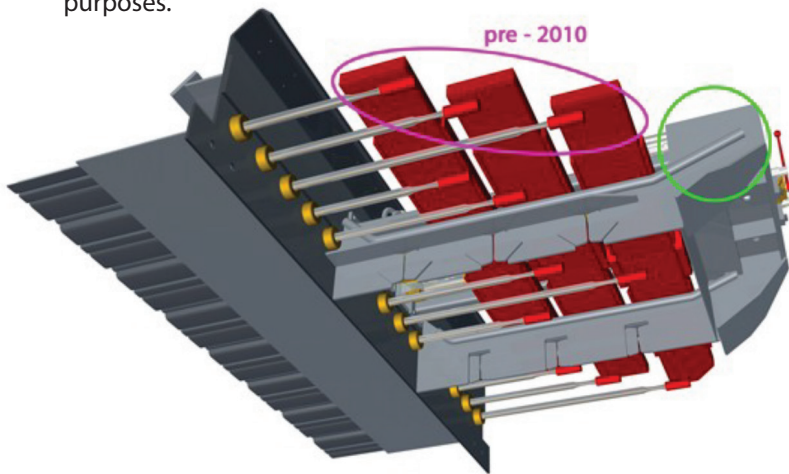


KEITH® WALKING FLOOR® System Operation, Maintenance & Troubleshooting Tips

KEITH MANUFACTURING CO

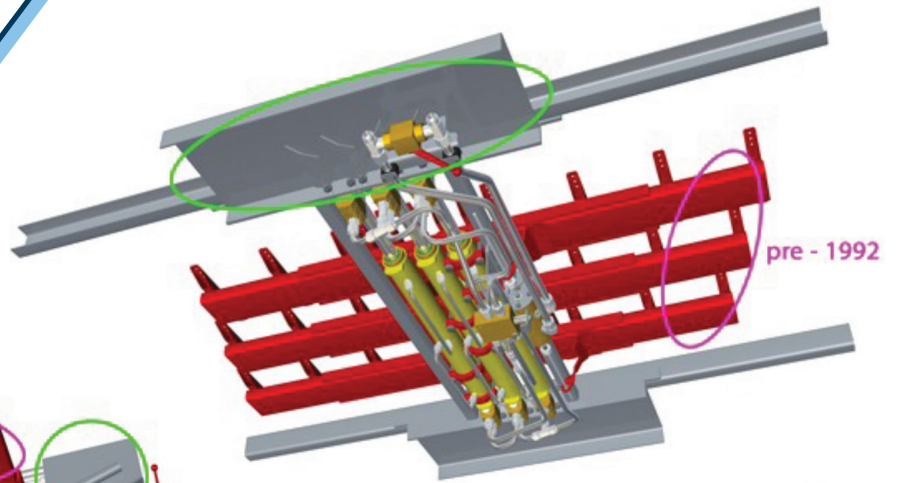
KEITH Drive Identification

KEITH offers several different drive styles, depending on customer needs. While majority of KEITH drives are the RUNNING FLOOR II® model, your drive unit may differ. Please use the following guide to identify your drive unit and locate its serial plate, information that you will need for maintenance and troubleshooting purposes.



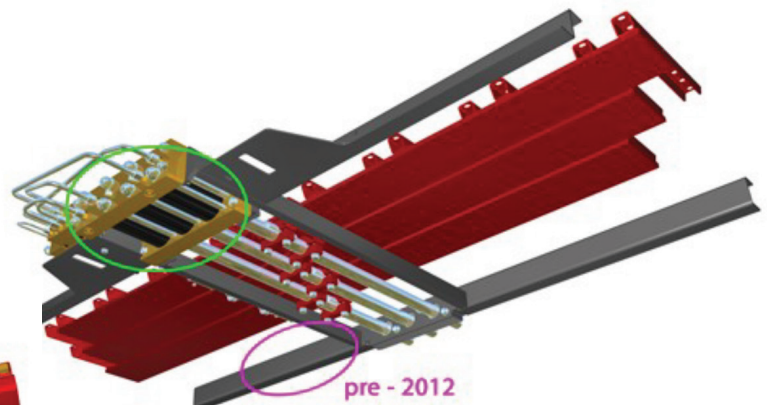
LeakProof 3 (LP-3)

The serial plate is located on the side of the frame. Before 2010, the serial plate was located on the cross-drives.



RUNNING FLOOR II® KRFI

The serial plate is located on the frame. Before 1992, the serial plate was located on the cross-drives.



KMD

The serial plate is printed on the manifold. Before 2012, the serial plate was located on the frame.

KFD

The serial plate is located on the frame.



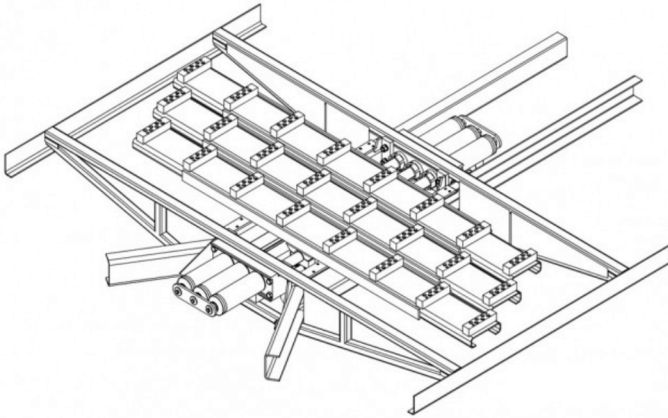
1-800-547-6161 | www.keithwalkingfloor.com

2016 KEITH Mfg. Co. KEITH, KEITH logo and WALKING FLOOR are registered trademarks of KEITH Mfg. Co. Manufactured under license.

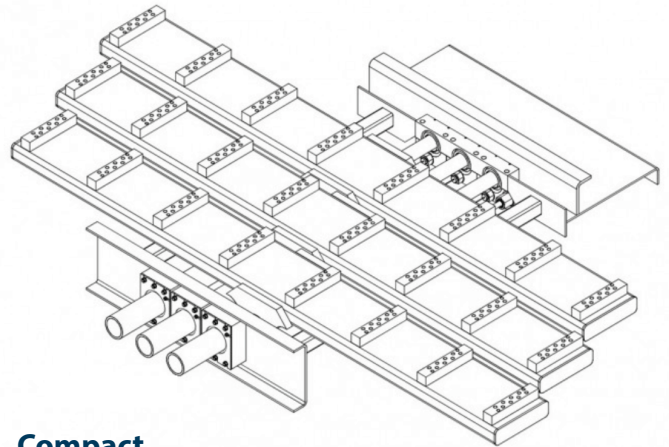
KEITH® WALKING FLOOR® System Operation, Maintenance & Troubleshooting Tips

KEITH MANUFACTURING CO

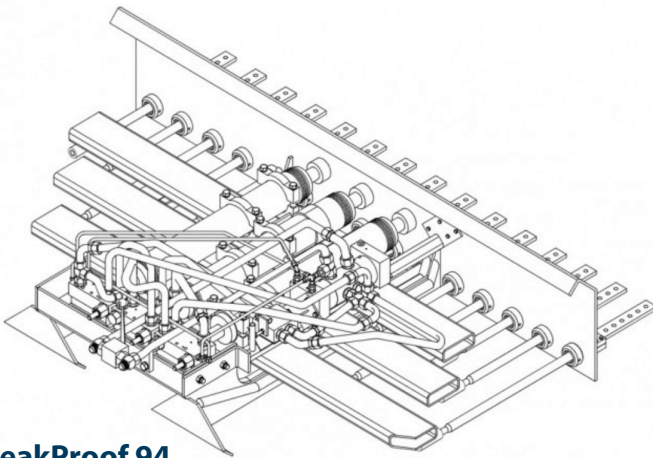
KEITH Drive Identification Legacy Drives



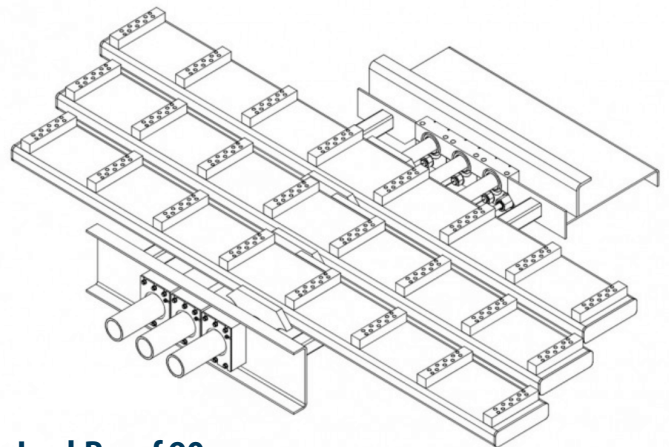
Ekonolite



Compact

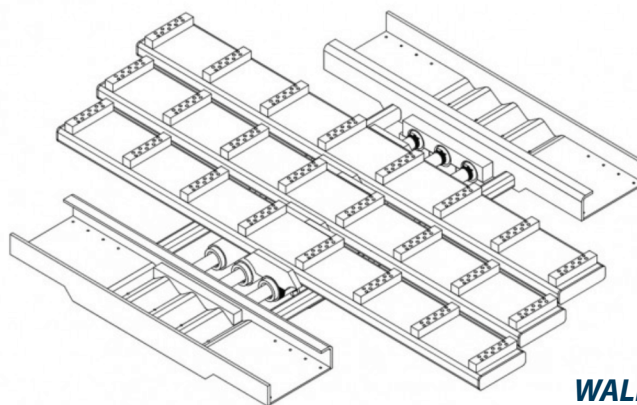


LeakProof 94



LeakProof 90

Always disengage the trailer from the P.T.O. before service and maintenance and never go underneath the trailer when the floor is operating. System is under hydraulic pressure. Always lock-out and tag out before servicing. Hot surfaces can cause severe burns. Allow components to cool before servicing. Never touch any moving part or attempt to make adjustments when system is in operation.



WALKING FLOOR II



1-800-547-6161 | www.keithwalkingfloor.com

2016 KEITH Mfg. Co. KEITH, KEITH logo and WALKING FLOOR are registered trademarks of KEITH Mfg. Co. Manufactured under license.